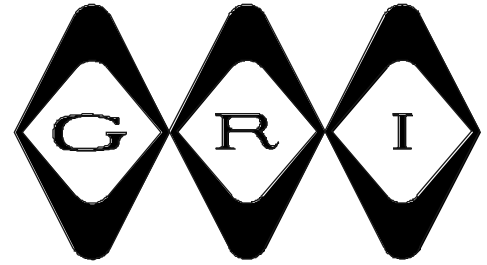


SHORT ROLLER BALL*

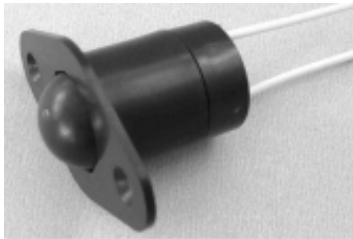


DS-01 SERIES



* Replaces the Dome Switch

- ◆ 360° of Ball Access, Provides Smooth Travel of the Plunger
for Longer Life & Better Reliability
- ◆ Screw Down Flange ◆ 12" Wire Leads #22AWG or Screw Terminals
- ◆ Jacketed Cable, Zip Cord, Longer Leads Available On Request
- ◆ Hermetically Sealed ◆ Plated Contacts Resist Sticking and/or Freezing
- ◆ Built-in E.O.L. Resistors and Diodes Upon Request
- ◆ Spacer and Mounting Hardware Included ◆ Spacers Sold Separately
- ◆ Supervisory Loops Upon Request
- ◆ Colors: White, Brown ◆ Lifetime Warranty



DS-01



DS-01T

PART NUMBERS:

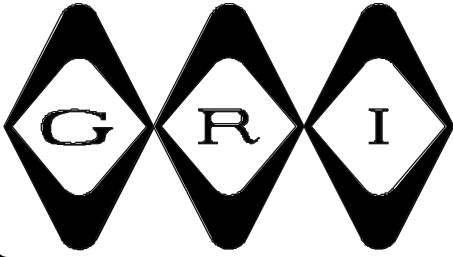
	Closed Loop	SPDT
12" Wire Leads	DS-01	DS-03
Terminal Block	DS-01T	
Travel: Total	.200	
Pre Travel	.080 ± .030	

GEORGE RISK INDUSTRIES, INC.
G.R.I. PLAZA
KIMBALL, NE 69145



MADE IN U.S.A.

TOLL-FREE 1-800-445-5218
TOLL-FREE 1-800-523-1227
(308) 235-4645
FAX (308) 235-3561
E-MAIL: grisales@megavision.com
WEB SITE: www.grisk.com



SHORT ROLLER BALL

INSTALLATION

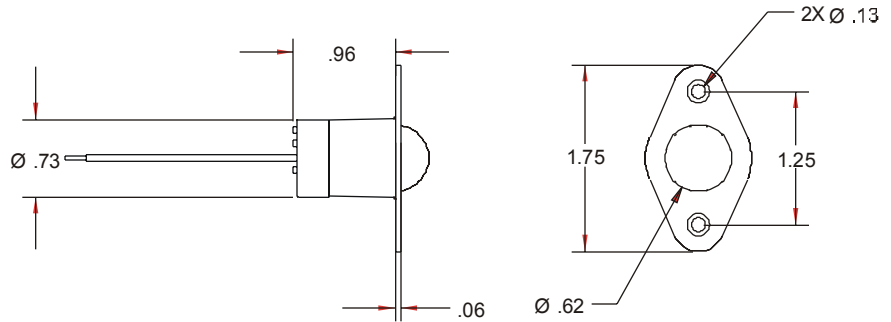
APPLICATION:

360° of ball access provides smooth travel of the ball downward resulting in longer life and better reliability. The shorter length of the body helps the installer by eliminating the need for a long, deep hole to allow for a switch housing. The collar is flanged to insure reliability with positioning and positive retention when the switch is installed.

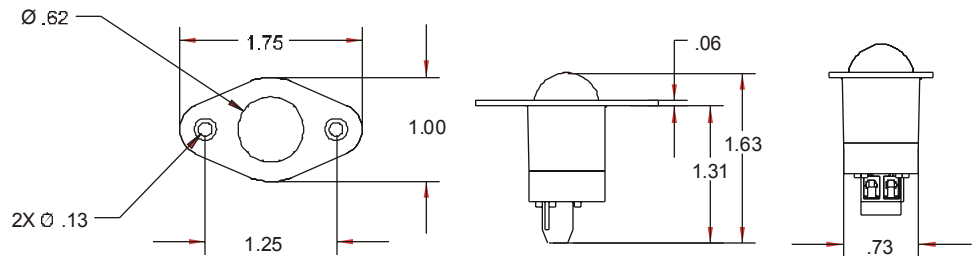
GRI's creation of the new short roller ball style switch uses a magnetic reed with a rolling ball to control the magnet. The ball plunger can be activated from any direction.

Our improved Short Roller Ball Switch is actuated when the ball rolls into the switch rather than simply being forced into the housing.

Important Note: GRI's improved DS and RB Series of products are not recommended for the bottom or side track of windows and doors.



DS-01/DS-03



DS-01T

Minimum General Specifications:

PART NUMBER	LOOP TYPE	ELECTRICAL CONFIG.	REED FORM	MAXIMUM INITIAL CONTACT RESISTANCE (Ω)	MAXIMUM CONTACT RATING (W)	MAXIMUM SWITCHING VOLTAGE (VDC/VAC)	MAXIMUM SWITCHING CURRENT (A)
DS-01	Closed	N/O	A	.150	10	200/140	.500
DS-01T	Closed	N/O	A	.150	10	200/140	.500
DS-03	Open/Closed	SPDT	C	.140	5	175VDC	.250

WARRANTY:

Lifetime warranty against workmanship, material and factory defects.

CONTACT YOUR G.R.I. DISTRIBUTOR OR CALL:

GEORGE RISK INDUSTRIES, INC.
GRI PLAZA
KIMBALL, NE 69145



MADE IN U.S.A.

TOLL-FREE 1-800-445-5218

TOLL-FREE 1-800-523-1227

(308) 235-4645

FAX (308) 235-3561

E-MAIL: grisales@megavision.com

WEB SITE: www.grisk.com